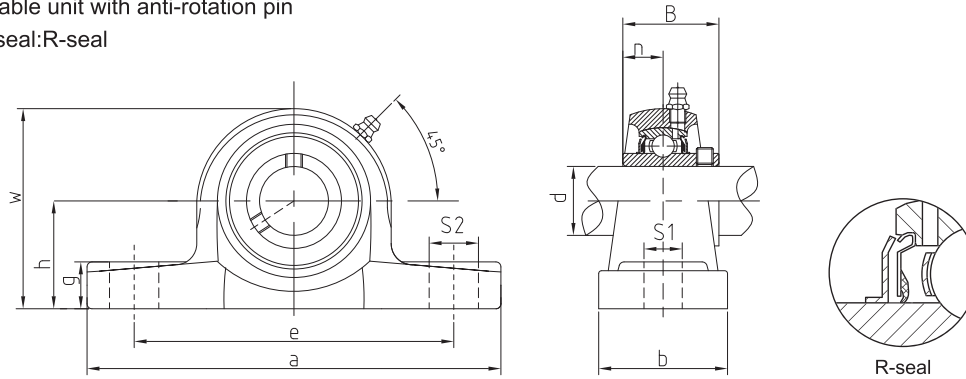




Pillow Blocks – Standard Shaft Height Set Screw Locking

- Standard duty, high-grade cast iron
- Solid foot housing design
- Wide inner ring bearing
- Relubricatable unit with anti-rotation pin
- Standard seal: R-seal



UCP200 Series

Bearing Unit	Shaft Dia.		Dimensions in mm											Bearing No.	Housing No.
	(in)	(mm)	h	a	e	b	s1	s2	g	w	B	n	Bolt Size		
UCP201-8	1/2		30.16	127	96	36	12.7	19.1	13.5	60	31	12.7	M10	UC201-8 UC202-10 UC203-11 UC201 UC202 UC203	P203
UCP202-10	5/8														
UCP203-11	11/16														
UCP201	12														
UCP202	15														
UCP203	17														
UCP204-12	3/4		33.4	127	95.3	38.1	12.7	19.1	13.5	65	31	12.7	M10	UC204-12 UC204-13 UC204	P204
UCP204-13	13/16														
UCP204	20														
UCP205-13	13/16		36.51	140	105	38.1	12.7	19.1	15	70.6	34	14.3	M10	UC205-13 UC205-14 UC205-15 UC205-16 UC205	P205
UCP205-14	7/8														
UCP205-15	15/16														
UCP205-16	1														
UCP205	25														
UCP206-17	1-1/16		42.86	165	120.7	48	16.7	20.6	16.7	83.3	38.1	15.90	M14	UC206-17 UC206-18 UC206-19 UC206-20 UC206	P206
UCP206-18	1-1/8														
UCP206-19	1-3/16														
UCP206-20	1-1/4														
UCP206	30														
UCP207-20	1-1/4		47.63	167	127	48	16.7	20.6	18.3	93	42.90	17.50	M14	UC207-20 UC207-21 UC207-22 UC207-23 UC207	P207
UCP207-21	1-5/16														
UCP207-22	1-3/8														
UCP207-23	1-7/16														
UCP207	35														
UCP208-24	1-1/2		49.21	184.2	137.3	54	16.7	20.6	18	98	49.20	19.0	M14	UC208-24 UC208-25 UC208	P208
UCP208-25	1-9/16														
UCP208	40														
UCP209-26	1-5/8		53.89	189.7	146.1	54	16.7	20.6	20	106	49.20	19.0	M14	UC209-26 UC209-27 UC209-28 UC209	P209
UCP209-27	1-11/16														
UCP209-28	1-3/4														
UCP209	45														
UCP210-29	1-13/16		57.15	206.4	158.8	60	19.8	25	21	114	51.60	19.0	M16	UC210-29 UC210-30 UC210-31 UC210-32 UC210	P210
UCP210-30	1-7/8														
UCP210-31	1-15/16														
UCP210-32	2														
UCP210	50														

Remarks: 1) These relubricatable types with suffix "D1". If maintenance free type is needed, please order without suffix "D1".

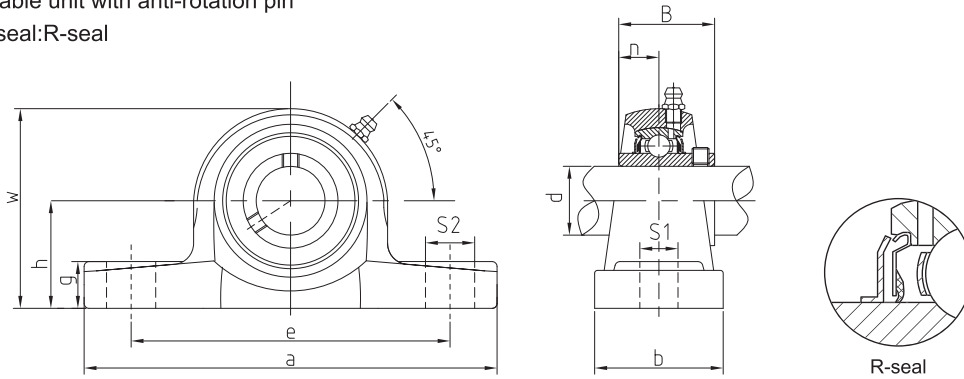


Pillow Blocks – Standard Shaft Height Set Screw Locking



Pillow Block

- Standard duty, high-grade cast iron
- Solid foot housing design
- Wide inner ring bearing
- Relubricatable unit with anti-rotation pin
- Standard seal: R-seal



UCP200 Series

Bearing Unit	Shaft Dia.		Dimensions ⁱⁿ mm											Bearing No.	Housing No.		
	(in)	(mm)	h	a	e	b	s1	s2	g	w	B	n	Bolt Size				
UCP211-32	2																
UCP211-33	2-1/16																
UCP211-34	2-1/8		2-1/2	8-5/8	6-23/32	2.362	25/32	0.984	0.906	4-31/32	2.189	0.874	5/8	UC211-32	P211		
UCP211-35	2-3/16		63.50	219.1	170.7	60	19.8	25	23	126.2	55.60	22.2	M16	UC211-33			
UCP211		55												UC211-34			
UCP212														UC211-35			
UCP212-36	2-1/4													UC211			
UCP212-37	2-5/16													UC212-36	P212		
UCP212-38	2-3/8		2-3/4	9.488	7-1/4	2.756	25/32	1	0.984	5.433	2.563	1.00	5/8	UC212-37			
UCP212-39	2-7/16		69.85	241	184.2	70	19.8	25.4	25	138	65.1	25.4	M16	UC212-38			
UCP212		60												UC212-39			
UCP213-40	2-1/2													UC212			
UCP213-41	2-9/16		3	10-7/16	8	2.756	1	1-3/16	1.063	5.945	2.563	1.00	3/4	UC213-40	P213		
UCP213		65	76.2	265.1	203.2	70	25.4	30.2	27	151	65.1	25.4	M20	UC213-41			
UCP214-42	2-5/8													UC213			
UCP214-43	2-11/16													UC214-42	P214		
UCP214-44	2-3/4		3-1/8	10-5/32	8-9/32	2-27/32	1	1-3/16	1.063	6.181	2.937	1.189	3/4	UC214-43			
UCP214		70	79.38	265.9	210.3	72.1	25.4	30.2	27	157	74.60	30.20	M20	UC214-44			
UCP215-45	2-13/16													UC214			
UCP215-46	2-7/8													UC215-45	P215		
UCP215-47	2-15/16		3-1/4	10-3/16	8-17/32	2.913	1	1-3/16	1.102	6.417	3.063	1.311	3/4	UC215-46			
UCP215-48	3		82.55	274.6	216.7	74	25.4	30.2	28	163	77.80	33.30	M20	UC215-47			
UCP215		75												UC215-48			
UCP216-50	3-1/8													UC215			
UCP216		80	3-1/2	11-1/2	9-1/8	3-1/16	1	1-3/16	1.181	6.890	3.252	1.311	3/4	UC216-50	P216		
UCP217-52	3-1/4		88.90	292.1	231.8	77.8	25.4	30.2	30	175	82.6	33.3	M20	UC216			
UCP217-55	3-7/16													UC217-52	P217		
UCP217		85	3-3/4	12-7/32	9-23/32	3-17/64	1	1-3/16	1.260	7.362	3.374	1.343	3/4	UC217-55			
UCP218-56	3-1/2		95.25	310.4	246.9	83.2	25.4	30.2	32	187	85.70	34.1	M20	UC217			
UCP218-57		90	4	12-7/8	10-5/16	3.465	1-1/16	1.417	1.299	7.874	3.780	1.563	7/8	UC218-56	P218		
UCP218			101.6	327.0	261.9	88	27.0	36	33	200	96.0	39.70	M22	UC218			

Remarks: 1) These relubricatable types with suffix "D1". If maintenance free type is needed, please order without suffix "D1".

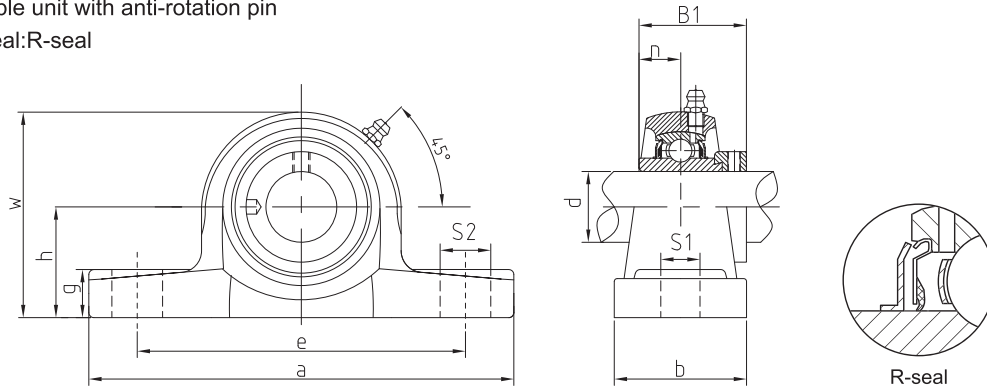


Pillow Blocks – Standard Shaft Height Eccentric Locking Collar



Pillow Block

- Standard duty, high-grade cast iron
- Solid foot housing design
- Wide inner ring bearing
- Relubricatable unit with anti-rotation pin
- Standard seal: R-seal



HCP200 Series

Bearing Unit	Shaft Dia.		Dimensions in mm											Bearing No.	Housing No.			
	(in)	(mm)	h	a	e	b	s1	s2	g	w	B1	n	Bolt Size					
HCP201-8	1/2																	
HCP202-9	9/16																	
HCP202-10	5/8																	
HCP203-11	11/16		1-3/16	5	3.780	1.417	1/2	3/4	17/32	2.362	1.71	0.669	3/8	HC201-8				
HCP201		12	30.16	127	96	36	12.7	19.1	13.5	60	43.5	17		HC202-9				
HCP202		15												HC203-10				
HCP203		17												HC203-11				
HCP204-12	3/4		1-5/16	5	3-3/4	1.496	1/2	3/4	17/32	2-17/32	1.71	0.669	3/8	HC201				
HCP204		20	33.34	127	95.3	38	12.7	19.1	13.5	64.3	43.5	17		HC202				
HCP205-13	13/16													HC203				
HCP205-14	7/8													HC204				
HCP205-15	15/16		1-7/16	5-1/2	4-1/8	1-1/2	1/2	3/4	5/8	2-25/32	1.74	0.685	3/8	HC205-13				
HCP205-16	1		36.51	139.7	104.8	38.1	12.7	19.1	15.9	70.6	44.3	17.4		HC205-14				
HCP205		25												HC205-15				
HCP206-17	1-1/16													HC205-16				
HCP206-18	1-1/8													HC205				
HCP206-19	1-3/16		1-11/16	6-1/2	4-3/4	1.890	21/32	13/16	21/32	3-9/32	1.90	0.717	1/2	HC206-17				
HCP206-20	1-1/4		42.86	165.1	120.7	48	16.7	20.6	16.7	83.3	48.3	18.2		HC206-18				
HCP206		30												HC206-19				
HCP207-20	1-1/4													HC206-20				
HCP207-21	1-5/16													HC206				
HCP207-22	1-3/8		1-7/8	6-9/16	5	1.890	21/32	13/16	23/32	3-11/16	2.01	0.740	1/2	HC207-20				
HCP207-23	1-7/16		47.63	166.7	127	48	16.7	20.6	18.3	93.7	51.1	18.8		HC207-21				
HCP207		35												HC207-22				
HCP208-24	1-1/2													HC207-23				
HCP208-25	1-9/16		1-15/16	7-1/4	5-13/32	2.126	21/32	13/16	23/32	3.858	2.22	0.843	1/2	HC207				
HCP208		40	49.21	184.2	137.3	54	16.7	20.6	18.3	98	56.3	21.4		HC208-24				
HCP209-26	1-5/8													HC208-25				
HCP209-27	1-11/16													HC208				
HCP209-28	1-3/4		2-1/8	7-15/32	5-3/4	2.126	21/32	13/16	3/4	4.173	2.22	0.843	1/2	HC209-26				
HCP209		45	53.89	189.7	146.1	54	16.7	20.6	19.1	106	56.3	21.4		HC209-27				
HCP210-29	1-13/16													HC209-28				
HCP210-30	1-7/8													HC209				
HCP210-31	1-15/16		2-1/4	8-1/8	6-1/4	2.362	25/32	0.984	0.827	4.488	2.47	0.969	5/8	HC210-29				
HCP210-32	2		57.12	206.4	158.8	60	19.8	25	21	114	62.7	24.6		HC210-30				
HCP210		50												HC210-31				

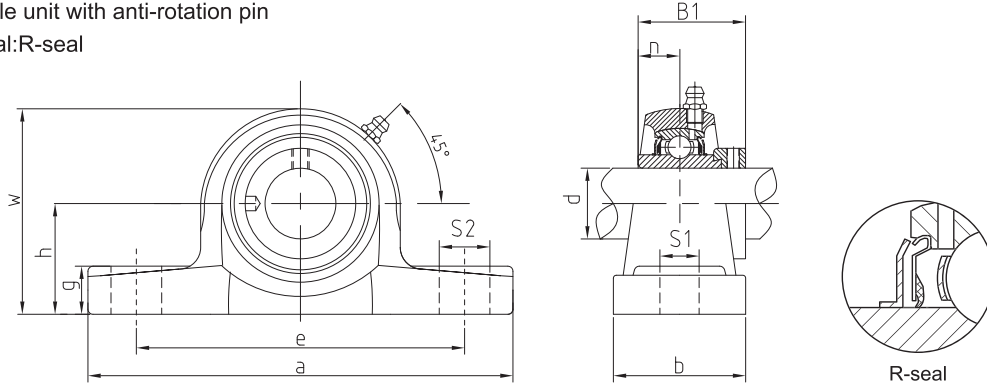


Pillow Blocks – Standard Shaft Height Eccentric Locking Collar



Pillow Block

- Standard duty, high-grade cast iron
- Solid foot housing design
- Wide inner ring bearing
- Relubricatable unit with anti-rotation pin
- Standard seal: R-seal



HCP200 Series

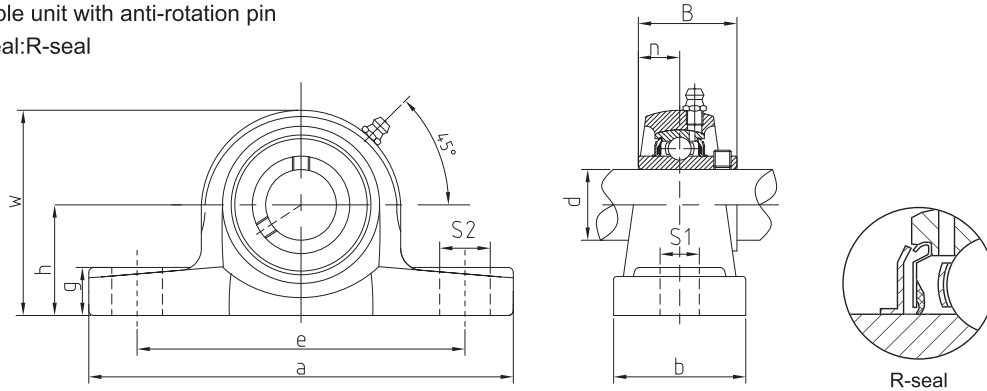
Bearing Unit	Shaft Dia.		Dimensions in mm											Bearing No.	Housing No.		
	(in)	(mm)	h	a	e	b	s1	s2	g	w	B1	n	Bolt Size				
HCP211-32	2																
HCP211-33	2-1/16																
HCP211-34	2-1/8		2-1/2	8-5/8	6-23/32	2.362	25/32	0.984	7/8	4-31/32	2.81	1.090	5/8	HC211-32	P211		
HCP211-35	2-3/16		63.5	219.1	170.7	60	19.8	25	22.2	126.2	71.4	27.7	5/8	HC211-33			
HCP211		55												HC211-34			
HCP211														HC211-35			
HCP212														HC211			
HCP212-36	2-1/4													HC212-36	P212		
HCP212-37	2-5/16		2-3/4	9.488	7-1/4	2.756	25/32	1	0.984	5.433	3.06	1.217	5/8	HC212-37			
HCP212-38	2-3/8		69.85	241	184.2	70	19.8	25.4	25	138	77.8	30.9	5/8	HC212-38			
HCP212-39	2-7/16													HC212-39			
HCP212		60												HC212			
HCP213-40	2-1/2													HC213-40	P213		
HCP213-41	2-9/16		3	10.394	8	2.756	1	13/16	1.063	5.945	3.37	1.343	3/4	HC213-41			
HCP213		65	76.2	264	203.2	70	25.4	30.2	27	151	85.7	34.1	3/4	HC213			
HCP214-42	2-5/8													HC214-42	P214		
HCP214-43	2-11/16		3-1/8	10-15/32	8-9/32	2-27/32	1	13/16	1.063	6.181	3.37	1.343	3/4	HC214-43			
HCP214-44	2-3/4		79.38	265.9	210.3	72.1	25.4	30.2	27	157	85.7	34.1	3/4	HC214-44			
HCP214		70												HC214			
HCP215-45	2-13/16													HC215-45	P215		
HCP215-46	2-7/8		3-1/4	10-13/16	8-17/32	2.913	1	13/16	1.102	6.417	3.63	1.469	3/4	HC215-46			
HCP215-47	2-15/16		82.55	274.6	216.7	74	25.4	30.2	28	163	92.10	37.3	3/4	HC215-47			
HCP215-48	3													HC215-48			
HCP215		75												HC215			

Remarks: 1) These relubricatable types with suffix "D1". If maintenance free type is needed, please order without suffix "D1".



Pillow Blocks – Low Shaft Heights Set Screw Locking

- Standard duty, high-grade cast iron
- Solid foot housing design
- Wide inner ring bearing
- Relubricatable unit with anti-rotation pin
- Standard seal: R-seal



UCPL200 Series

Bearing Unit	Shaft Dia.		Dimensions in mm											Bearing No.	Housing No.												
	(in)	(mm)	h	a	e	b	s1	s2	g	w	B	n	Bolt Size														
UCPL201-8	1/2		1.063 27	4.875 124	3.625 92	1.438 37	1/2 12.7	5/8 16	0.512 13	2.2 56	1.023 26	0.393 10	3/8 M10	UC201-8	PL203												
UCPL202-9	9/16													UC202-9													
UCPL202-10	5/8													UC202-10													
UCPL203-11	11/16													UC202-11													
UCPL201		12												UC201													
UCPL202		15	UC202																								
UCPL203		17	UC203																								
UCPL204-12	3/4		1-1/4 31.75	5 127	3.750 95	1.500 38	1/2 12.7	5/8 16	0.562 14	2.560 65	1.220 31	0.500 12.7	3/8 M10	UC204-12	PL204												
UCPL204-13	13/16													UC204-13													
UCPL204		20												UC204													
UCPL205-13	13/16		1-5/16 33.34	5-1/2 139.7	4-1/8 104.8	1-1/2 38.1	1/2 12.7	5/8 16	0.630 16	2-21/32 67.5	1.339 34	0.563 14.3	3/8 M10	UC205-13	PL205												
UCPL205-14	7/8													UC205-14													
UCPL205-15	15/16													UC205-15													
UCPL205-16	1													UC205-16													
UCPL205		25												UC205													
UCPL206-17	1-1/16		1-9/16 39.69	6-11/32 161	4-3/4 121	1.890 48	0.600 15	0.748 19	0.688 18	3-5/32 80.2	1.500 38.1	0.626 15.9	7/16 M12	UC206-17	PL206												
UCPL206-18	1-1/8													UC206-18													
UCPL206-19	1-3/16													UC206-19													
UCPL206-20	1-1/4													UC206-20													
UCPL206		30												UC206													
UCPL207-20	1-1/4		1-13/16 46.04	6-19/32 167	5 127	1.890 48	0.600 15	0.748 19	0.748 19	3-21/32 93	1.689 42.9	0.689 17.5	7/16 M12	UC207-20	PL207												
UCPL207-21	1-5/16													UC207-21													
UCPL207-22	1-3/8													UC207-22													
UCPL207-23	1-7/16													UC207-23													
UCPL207		35												UC207													
UCPL208-24	1-1/2		1-15/16 49.21	7-1/8 181	5-7/16 137	2 51	0.600 15	0.748 19	13/16 20.6	4 100	1.937 49.2	0.689 19	7/16 M12	UC208-24	PL208												
UCPL208-25	1-9/16													UC208-25													
UCPL208		40												UC208													
UCPL209-26	1-5/8													2-1/16 52.39		7-1/2 191	5-3/4 146	2.126 54	0.600 15	0.748 19	29/32 23	4-3/16 106.4	1.937 49.2	0.748 19	7/16 M12	UC209-26	PL209
UCPL209-27	1-11/16																									UC209-27	
UCPL209-28	1-3/4		UC209-28																								
UCPL209		45	UC209																								
UCPL210-29	1-13/16		2-3/16 55.56	8-1/32 204	6-1/4 159	2.244 57	0.600 15	0.748 19	29/32 23	4.449 113	2.031 51.6	0.748 19	7/16 M12		UC210-29											PL210	
UCPL210-30	1-7/8													UC210-30													
UCPL210-31	1-15/16													UC210-31													
UCPL210-32	2													UC210-32													
UCPL210		50												UC210													
UCPL211-32	2		2-7/16 61.91	8-5/8 219	7 178	2-3/8 60	0.787 20	0.945 24	1 25	4-29/32 124.6	2.189 55.6	0.874 22.2	5/8 M16	UC211-32	PL211												
UCPL211-33	2-1/16													UC211-33													
UCPL211-34	2-1/8													UC211-34													
UCPL211-35	2-3/16													UC211-35													
UCPL211		55												UC211													
UCPL212-36	2-1/4		2-11/16 68.26	9-7/16 240	7-1/2 190	2.756 70	0.787 20	0.945 24	0.034 26	5.433 138	2.563 65.1	1.000 25.4	5/8 M16	UC212-36	PL212												
UCPL212-37	2-5/16													UC212-37													
UCPL212-38	2-3/8													UC212-38													
UCPL212-39	2-7/16													UC212-39													
UCPL212		60												UC212													

Remarks: 1) These relubricatable types with suffix "D1". If maintenance free type is needed, please order without suffix "D1".

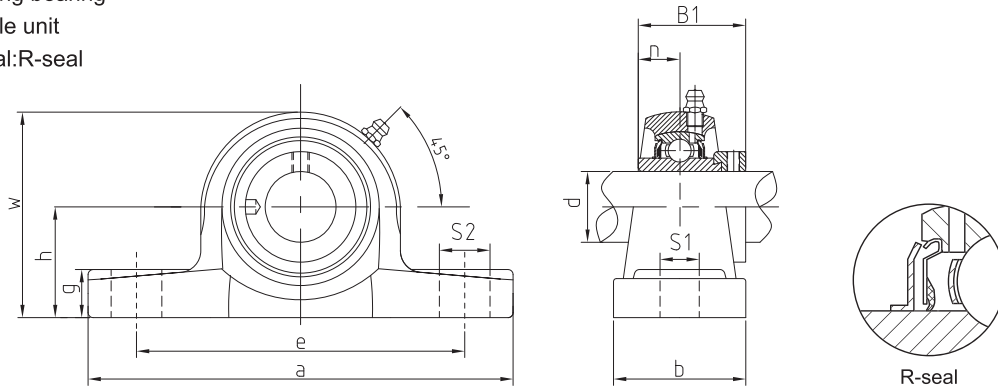


Pillow Blocks – Low Shaft Height Eccentric Locking Collar



Pillow Block

- Standard duty, high-grade cast iron
- Solid foot housing design
- Wide inner ring bearing
- Relubricatable unit
- Standard seal: R-seal



HCPL200 Series

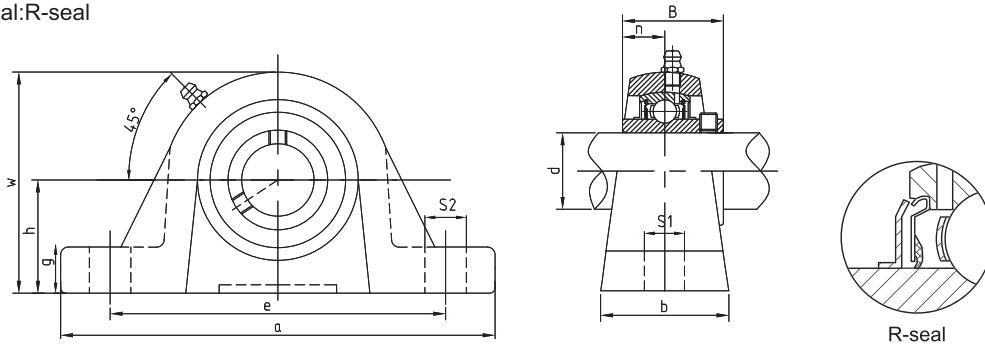
Bearing Unit	Shaft Dia.		Dimensions in mm											Bearing No.	Housing No.
	(in)	(mm)	h	a	e	b	s1	s2	g	w	B1	n	Bolt Size		
HCPL201-8	1/2		1.063 27	4.875 124	3.625 92	1.438 37	1/2 12.7	5/8 16	0.512 13	2.2 56	1.71 43.5	0.669 17	3/8 M10	HC201-8	PL203
HCPL202-9	9/16													HC202-9	
HCPL202-10	5/8													HC202-10	
HCPL203-11	11/16													HC203-11	
HCPL201	12													HC201	
HCPL202	15		HC202												
HCPL203	17		HC203												
HCPL204-12	3/4		1-1/4 31.75	5 127	3.750 95	1.500 38	1/2 12.7	5/8 16	0.562 14	2.560 65	1.71 43.5	0.669 17	3/8 M10	HC204-12	PL204
HCPL204-13	13/16		HC204-13												
HCPL204	20		HC204												
HCPL205-13	13/16		1-5/16 33.34	5-1/2 139.7	4-1/8 104.8	1-1/2 38.1	1/2 12.7	5/8 16	0.630 16	2-21/32 67.5	1.74 44.3	0.685 17.4	3/8 M10	HC205-13	PL205
HCPL205-14	7/8													HC205-14	
HCPL205-15	15/16													HC205-15	
HCPL205-16	1													HC205-16	
HCPL205	25													HC205	
HCPL206-17	1-1/16		1-9/16 39.69	6-11/32 161	4-3/4 121	1.890 48	0.600 15	0.748 19	0.688 18	3-5/32 80.2	1.90 48.3	0.717 18.2	1/2 M14	HC206-17	PL206
HCPL206-18	1-1/8													HC206-18	
HCPL206-19	1-3/16													HC206-19	
HCPL206-20	1-1/4													HC206-20	
HCPL206	30													HC206	
HCPL207-20	1-1/4		1-13/16 46.04	6-19/32 167	5 127	1.890 48	0.600 15	0.748 19	0.748 19	3-21/32 93	2.01 51.1	0.740 18.8	1/2 M14	HC207-20	PL207
HCPL207-21	1-5/16													HC207-21	
HCPL207-22	1-3/8													HC207-22	
HCPL207-23	1-7/16													HC207-23	
HCPL207	35													HC207	
HCPL208-24	1-1/2		1-15/16 49.21	7-1/8 181	5-7/16 137	2 51	0.600 15	0.748 19	13/16 20.6	4 100	2.22 56.3	0.843 21.4	1/2 M14	HC208-24	PL208
HCPL208-25	1-9/16		HC208-25												
HCPL208	40		HC208												
HCPL209-26	1-5/8		2-1/16 52.39	7-1/2 191	5-3/4 146	2.126 54	0.600 15	0.748 19	29/32 23	4-3/16 106.4	2.22 56.3	0.843 21.4	1/2 M14	HC209-26	PL209
HCPL209-27	1-11/16													HC209-27	
HCPL209-28	1-3/4													HC209-28	
HCPL209	45													HC209	
HCPL210-29	1-13/16													2-3/16 55.56	
HCPL210-30	1-7/8		HC210-30												
HCPL210-31	1-15/16		HC210-31												
HCPL210-32	2		HC210-32												
HCPL210	50		HC210												
HCPL211-32	2		2-7/16 61.91	8-5/8 219	7 178	2-3/8 60	0.787 20	0.945 24	1 25	4-29/32 124.6	2.81 71.4	1.090 27.7	5/8 M16	HC211-32	PL211
HCPL211-33	2-1/16													HC211-33	
HCPL211-34	2-1/8													HC211-34	
HCPL211-35	2-3/16													HC211-35	
HCPL211	55													HC211	
HCPL212-36	2-1/4		2-11/16 68.26	9-7/16 240	7-1/2 190	2.756 70	0.787 20	0.945 24	0.034 26	5.433 138	3.06 77.8	1.217 30.9	5/8 M16	HC212-36	PL212
HCPL212-37	2-5/16													HC212-37	
HCPL212-38	2-3/8													HC212-38	
HCPL212-39	2-7/16													HC212-39	
HCPL212	60													HC212	

Remarks: 1) These relubricatable types with suffix "D1". If maintenance free type is needed, please order without suffix "D1".



Pillow Blocks – Standard Shaft Height Set Screw Locking

- Standard duty, high-grade cast iron
- Solid foot, enhancement housing design
- Wide inner ring bearing
- Relubricatable unit
- Standard seal: R-seal



UCPE200 Series

Bearing Unit	Shaft Dia.		Dimensions <small>in mm</small>											Bearing No.	Housing No.
	(in)	(mm)	h	a	e	b	s1	s2	g	w	B	n	Bolt Size		
UCPE201-8S	1/2													UC201-8S	PE203
UCPE202-10S	5/8													UC202-10S	
UCPE203-11S	11/16		1-3/16	4.840	3-3/4	1.220	7/16	0.591	17/32	2.248	1.024	0.394	5/16	UC203-11S	
UCPE201S		12	30.16	124	95	31	11	15	13.5	57.1	26	10	M8	UC201S	
UCPE202S		15												UC202S	
UCPE203S		17												UC203S	
UCPE204-12	3/4		1-5/16	1-5/16	3-3/4	1-1/2	1/2	0.630	0.591	2.559	1.220	0.500	3/8	UC204-12	PE204
UCPE204		20	33.4	127	95.3	38.1	12.7	16	15	65	31	12.7	M10	UC204	
UCPE205-13	13/16													UC205-13	PE205
UCPE205-14	7/8													UC205-14	
UCPE205-15	15/16		1-7/16	5-1/2	4-1/8	1-1/2	1/2	0.630	0.591	2-25/32	1.339	0.563	3/8	UC205-15	
UCPE205-16	1		36.51	140	105	38.1	12.7	16	15	70.6	34	14.3	M10	UC205-16	
UCPE205		25												UC205	
UCPE206-17	1-1/16													UC206-17	PE206
UCPE206-18	1-1/8													UC206-18	
UCPE206-19	1-3/16		1-11/16	6-1/2	4-3/4	1.890	21/32	13/16	0.708	3-9/32	1.500	0.626	1/2	UC206-19	
UCPE206-20	1-1/4		42.86	165	120.7	48	16.7	20.6	18	83.3	38.1	15.90	M14	UC206-20	
UCPE206		30												UC206	
UCPE207-20	1-1/4													UC207-20	PE207
UCPE207-21	1-5/16													UC207-21	
UCPE207-22	1-3/8		1-7/8	6-9/16	5	1.890	21/32	13/16	0.748	3.661	1.689	0.689	1/2	UC207-22	
UCPE207-23	1-7/16		47.63	167	127	48	16.7	20.6	19	93	42.90	17.50	M14	UC207-23	
UCPE207		35												UC207	
UCPE208-24	1-1/2													UC208-24	PE208
UCPE208-25	1-9/16		1-15/16	7-1/4	5-13/32	2.126	21/32	0.984	0.748	3.937	1.937	0.748	1/2	UC208-25	
UCPE208		40	49.21	184.2	137.3	54	16.7	25	19	100	49.20	19.0	M14	UC208	
UCPE209-26	1-5/8													UC209-26	PE209
UCPE209-27	1-11/16													UC209-27	
UCPE209-28	1-3/4		2-1/8	7-15/32	5-3/4	2.126	21/32	0.984	0.787	4.252	1.937	0.748	1/2	UC209-28	
UCPE209		45	53.89	189.7	146.1	54	16.7	25	20	108	49.20	19.0	M14	UC209	
UCPE210-29	1-13/16													UC210-29	PE210
UCPE210-30	1-7/8													UC210-30	
UCPE210-31	1-15/16		2-1/4	8-1/8	6-1/4	2.362	25/32	0.984	0.827	4.488	2.031	0.748	5/8	UC210-31	
UCPE210-32	2		57.15	206.4	158.8	60	19.8	25	21	114	51.60	19.0	M16	UC210-32	
UCPE210		50												UC210	

Remarks: 1) These relubricatable types with suffix "D1". If maintenance free type is needed, please order without suffix "D1".

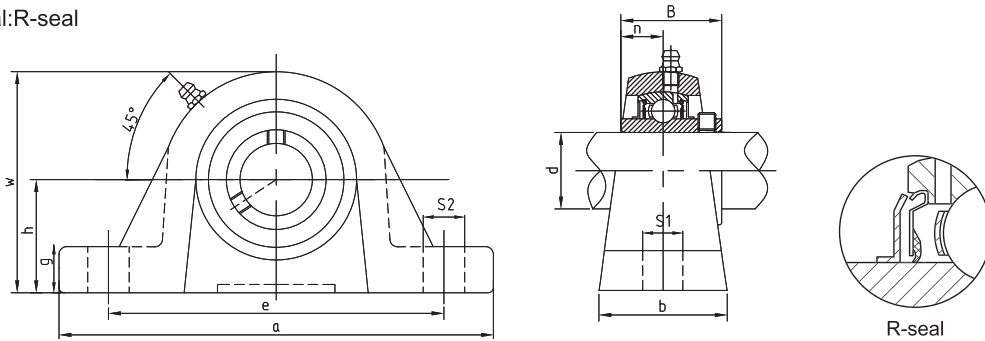


Pillow Blocks – Standard Shaft Height Set Screw Locking



Pillow Block

- Standard duty, high-grade cast iron
- Solid foot, enhancement housing design
- Wide inner ring bearing
- Relubricatable unit
- Standard seal: R-seal



UCPE200 Series

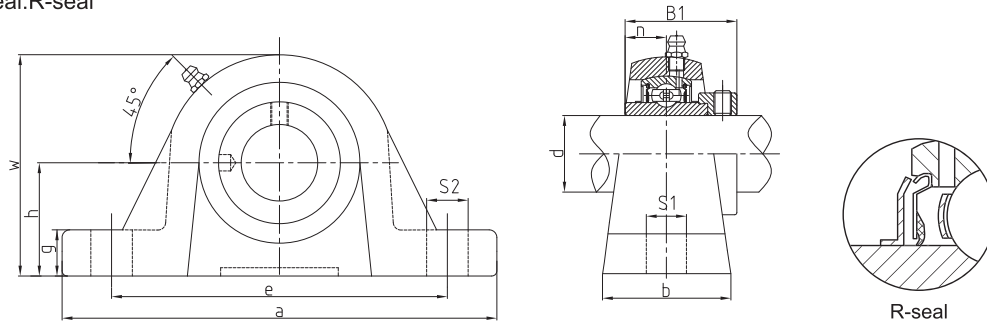
Bearing Unit	Shaft Dia.		Dimensions in mm											Bearing No.	Housing No.		
	(in)	(mm)	h	a	e	b	s1	s2	g	w	B	n	Bolt Size				
UCPE211-32	2																
UCPE211-33	2-1/16		63.50	219.1	170.7	60	19.8	25	23	126.2	55.60	22.2	M16	UC211-32	PE211		
UCPE211-34	2-1/8													UC211-33			
UCPE211-35	2-3/16													UC211-34			
UCPE211	55		UC211-35														
UCPE212																	
UCPE212-36	2-1/4		69.85	241	184.2	70	19.8	25.4	25	138	65.1	25.4	M16	UC212-36	PE212		
UCPE212-37	2-5/16													UC212-37			
UCPE212-38	2-3/8													UC212-38			
UCPE212-39	2-7/16													UC212-39			
UCPE212	60																
UCPE213-40	2-1/2		76.2	265.1	203.2	70	25.4	30.2	27	151	65.1	25.4	M20	UC213-40	PE213		
UCPE213-41	2-9/16													UC213-41			
UCPE213	65																
UCPE214-42	2-5/8		79.38	265.9	210.3	72.1	25.4	30.2	27	157	74.60	30.20	M20	UC214-42	PE214		
UCPE214-43	2-11/16													UC214-43			
UCPE214-44	2-3/4													UC214-44			
UCPE214	70																
UCPE215-45	2-13/16		82.55	274.6	216.7	74	25.4	30.2	28	163	77.80	33.30	M20	UC215-45	PE215		
UCPE215-46	2-7/8													UC215-46			
UCPE215-47	2-15/16													UC215-47			
UCPE215-48	3													UC215-48			
UCPE215	75																

Remarks: 1) These relubricatable types with suffix "D1". If maintenance free type is needed, please order without suffix "D1".



Pillow Blocks – Standard Shaft Height Eccentric Locking Collar

- Standard duty, high-grade cast iron
- Solid foot, enhancement housing design
- Wide inner ring bearing
- Relubricatable unit
- Standard seal: R-seal



HCPE200 Series

Bearing Unit	Shaft Dia.		Dimensions in mm											Bearing No.	Housing No.		
	(in)	(mm)	h	a	e	b	s1	s2	g	w	B1	n	Bolt Size				
HCPE201-8S	1/2																
HCPE202-10S	5/8																
HCPE203-11S	11/16		1-3/16	4.840	3-3/4	1.220	7/16	0.591	17/32	2.248	1.47	0.547	5/16	HC201-8S	PE203		
HCPE201S		12	30.16	124	95	31	11	15	13.5	57.1	37.3	13.9	M8	HC202-10S			
HCPE202S		15												HC203-11S			
HCPE203S		17												HC201S			
														HC202S			
HCPE204-12	3/4		1-5/16	1-5/16	3-3/4	1-1/2	1/2	0.630	0.591	2.559	1.71	0.669	3/8	HC203S	PE204		
HCPE204		20	33.4	127	95.3	38.1	12.7	16	15	65	43.5	17	M10	HC204-12			
HCPE205-13	13/16													HC204	PE205		
HCPE205-14	7/8													HC205-13			
HCPE205-15	15/16		1-7/16	5-1/2	4-1/8	1-1/2	1/2	0.630	0.591	2-25/32	1.74	0.685	3/8	HC205-14			
HCPE205-16	1		36.51	140	105	38.1	12.7	16	15	70.6	44.3	17.4	M10	HC205-15			
HCPE205		25												HC205-16			
HCPE206-17	1-1/16													HC205	PE206		
HCPE206-18	1-1/8													HC206-17			
HCPE206-19	1-3/16		1-11/16	6-1/2	4-3/4	1.890	21/32	13/16	0.708	3-9/32	1.90	0.717	1/2	HC206-18			
HCPE206-20	1-1/4		42.86	165	120.7	48	16.7	20.6	18	83.3	48.3	18.2	M14	HC206-19			
HCPE206		30												HC206-20			
HCPE207-20	1-1/4													HC206	PE207		
HCPE207-21	1-5/16													HC207-20			
HCPE207-22	1-3/8		1-7/8	6-9/16	5	1.890	21/32	13/16	0.748	3.661	2.01	0.740	1/2	HC207-21			
HCPE207-23	1-7/16		47.63	167	127	48	16.7	20.6	19	93	51.1	18.8	M14	HC207-22			
HCPE207		35												HC207-23			
HCPE208-24	1-1/2													HC207	PE208		
HCPE208-25	1-9/16		1-15/16	7-1/4	5-13/32	2.126	21/32	0.984	0.748	3.937	2.22	0.843	1/2	HC208-24			
HCPE208		40	49.21	184.2	137.3	54	16.7	25	19	100	56.3	21.4	M14	HC208-25			
HCPE209-26	1-5/8													HC208	PE209		
HCPE209-27	1-11/16		2-1/8	7-15/32	5-3/4	2.126	21/32	0.984	0.787	4.252	2.22	0.843	1/2	HC209-26			
HCPE209-28	1-3/4		53.89	189.7	146.1	54	16.7	25	20	108	56.3	21.4	M14	HC209-27			
HCPE209		45												HC209-28			
HCPE210-29	1-13/16													HC209	PE210		
HCPE210-30	1-7/8													HC210-29			
HCPE210-31	1-15/16		2-1/4	8-1/8	6-1/4	2.362	25/32	0.984	0.827	4.488	2.47	0.969	5/8	HC210-30			
HCPE210-32	2		57.15	206.4	158.8	60	19.8	25	21	114	62.7	24.6	M16	HC210-31			
HCPE210		50												HC210-32			

Remarks: 1) These relubricatable types with suffix "D1". If maintenance free type is needed, please order without suffix "D1".

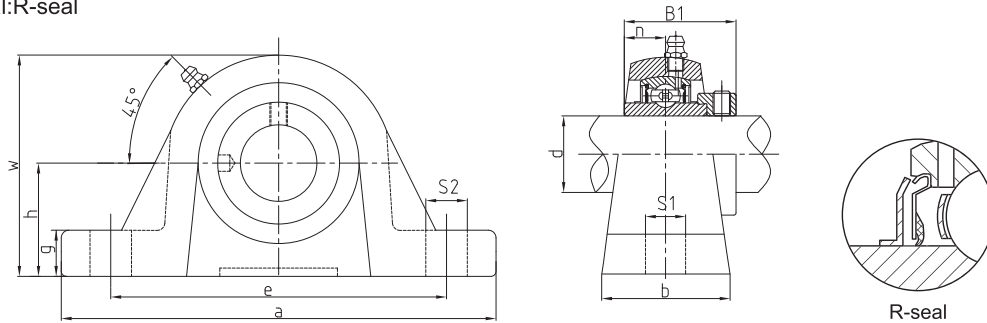


Pillow Blocks – Standard Shaft Height Eccentric Locking Collar



Pillow Block

- Standard duty, high-grade cast iron
- Solid foot, enhancement housing design
- Wide inner ring bearing
- Relubricatable unit
- Standard seal: R-seal



HCPE200 Series

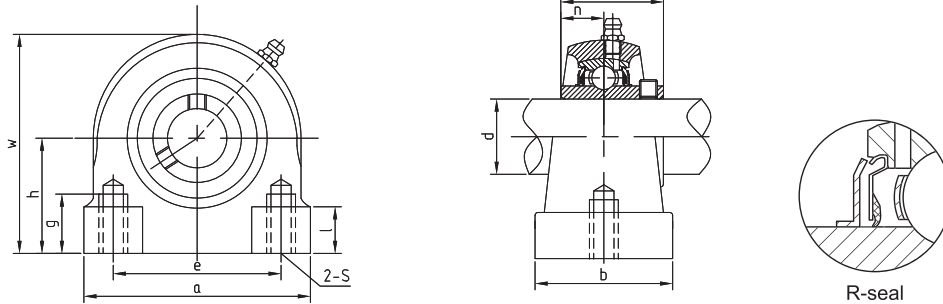
Bearing Unit	Shaft Dia.		Dimensions ⁱⁿ _{mm}											Bearing No.	Housing No.		
	(in)	(mm)	h	a	e	b	s1	s2	g	w	B1	n	Bolt Size				
HCPE211-32	2																
HCPE211-33	2-1/16		2-1/2 63.5	8-5/8 219.1	6-23/32 170.7	2.362 60	25/32 19.8	0.984 25	0.906 23	4-31/32 126.2	2.81 71.4	1.090 27.7	5/8 M16	HC211-32	PE211		
HCPE211-34	2-1/8													HC211-33			
HCPE211-35	2-3/16													HC211-34			
HCPE211	55													HC211-35			
HCPE212																	
HCPE212-36	2-1/4		2-3/4 69.85	9.488 241	7-1/4 184.2	2.756 70	25/32 19.8	1 25.4	0.984 25	5.433 138	3.06 77.8	1.217 30.9	5/8 M16	HC212-36	PE212		
HCPE212-37	2-5/16													HC212-37			
HCPE212-38	2-3/8													HC212-38			
HCPE212-39	2-7/16													HC212-39			
HCPE212	60																
HCPE213-40	2-1/2		3 76.2	10-7/16 265.1	8 203.2	2.756 70	1 25.4	1-3/16 30.2	1.063 27	5.945 151	3.37 85.7	1.343 34.1	3/4 M20	HC213-40	PE213		
HCPE213-41	2-9/16													HC213-41			
HCPE213	65													HC213			
HCPE214-42	2-5/8		3-1/8 79.38	10-5/32 265.9	8-9/32 210.3	2-27/32 72.1	1 25.4	1-3/16 30.2	1.063 27	6.181 157	3.37 85.7	1.343 34.1	3/4 M20	HC214-42	PE214		
HCPE214-43	2-11/16													HC214-43			
HCPE214-44	2-3/4													HC214-44			
HCPE214	70													HC214			
HCPE215-45	2-13/16		3-1/4 82.55	10-3/16 274.6	8-17/32 216.7	2.913 74	1 25.4	1-3/16 30.2	1.102 28	6.417 163	3.63 92.1	1.469 37.3	3/4 M20	HC215-45	PE215		
HCPE215-46	2-7/8													HC215-46			
HCPE215-47	2-15/16													HC215-47			
HCPE215-48	3													HC215-48			
HCPE215	75													HC215			

Remarks: 1) These relubricatable types with suffix "D1". If maintenance free type is needed, please order without suffix "D1".



Pillow Blocks – Tapped Base Set Screw Locking

- Standard duty, high-grade cast iron
- Solid foot housing design
- Wide inner ring bearing
- Relubricatable unit with anti-rotation pin
- Standard seal: R-seal



UCPA200 Series

Bearing Unit	Shaft Dia.		Dimensions <small>in mm</small>										Bearing No.	Housing No.
	(in)	(mm)	h	a	e	b	s	w	l	g	B	n		
UCPA201-8	1/2		1-3/16 30.16	3 76.2	2-3/64 51.9	1.496 38	3/8-16 M10	2-7/16 61.9	0.315 8	0.60 15	1.22 31	0.500 12.7	UC201-8 UC202-9 UC202-10 UC203-11 UC201 UC202 UC203	PA203
UCPA202-9	9/16													
UCPA202-10	5/8													
UCPA203-11	11/16													
UCPA201	12													
UCPA202	15													
UCPA203	17													
UCPA204-12	3/4		1-3/16 30.16	3 76.2	2-3/64 51.9	1.496 38	3/8-16 M10	2-7/16 61.9	0.433 11	0.60 15	1.22 31	0.500 12.7	UC204-12 UC204-13 UC204	PA204
UCPA204-13	13/16													
UCPA204	20													
UCPA205-13	13/16		1-7/16 36.51	3.150 80	2.20 56	1.50 38	3/8-16 M10	2-27/32 72.2	0.472 12	0.60 15	1.34 34	0.563 14.3	UC205-13 UC205-14 UC205-15 UC205-16 UC205	PA205
UCPA205-14	7/8													
UCPA205-15	15/16													
UCPA205-16	1													
UCPA205	25													
UCPA206-17	1-1/16		1-11/16 42.86	3-11/16 93.7	2-19/32 65.9	1.890 48	7/16-14 M12	3-5/16 84.1	0.472 12	0.709 18	1.50 38.1	0.626 15.9	UC206-17 UC206-18 UC206-19 UC206-20 UC206	PA206
UCPA206-18	1-1/8													
UCPA206-19	1-3/16													
UCPA206-20	1-1/4													
UCPA206	30													
UCPA207-20	1-1/4		1-7/8 47.63	4-11/32 110.3	3-5/32 80.2	1.890 48	1/2-13 M14	3-3/4 95.3	0.472 12	3/4 19.1	1.69 42.9	0.689 17.5	UC207-20 UC207-21 UC207-22 UC207-23 UC207	PA207
UCPA207-21	1-5/16													
UCPA207-22	1-3/8													
UCPA207-23	1-7/16													
UCPA207	35													
UCPA208-24	1-1/2		1-15/16 49.21	4-9/16 115.9	3-5/16 84.1	2.126 54	1/2-13 M14	3-15/16 100	0.472 12	3/4 19.1	1.94 49.2	0.748 19	UC208-24 UC208-25 UC208	PA208
UCPA208-25	1-9/16													
UCPA208	40													
UCPA209-26	1-5/8		2-9/64 54.4	4-23/32 119.8	3-35/64 90.1	2.126 54	1/2-13 M14	4-1/4 107.9	0.472 12	1 25	1.94 49.2	0.748 19	UC209-26 UC209-27 UC209-28 UC209	PA209
UCPA209-27	1-11/16													
UCPA209-28	1-3/4													
UCPA209	45													
UCPA210-29	1-13/16		2-1/4 57.12	5-1/8 130.2	3-45/64 94.1	2.362 60	5/8-11 M16	4-9/16 115.9	9/16 14.3	1 25	2.03 51.6	0.748 19	UC210-29 UC210-30 UC210-31 UC210-32 UC210	PA210
UCPA210-30	1-7/8													
UCPA210-31	1-15/16													
UCPA210-32	2													
UCPA210	50													

Remarks: 1) These relubricatable types with suffix "D1". If maintenance free type is needed, please order without suffix "D1".

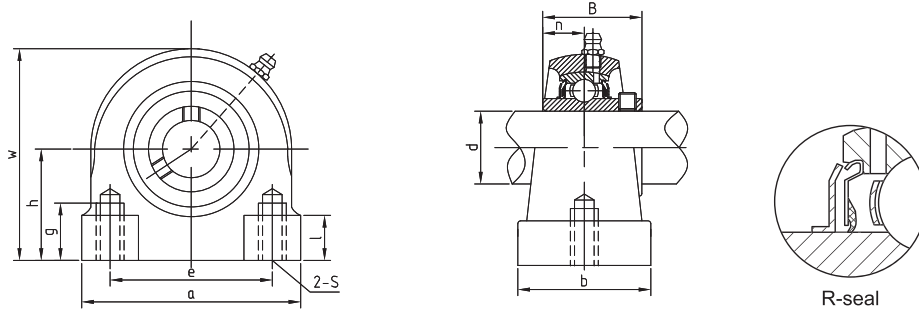


Pillow Blocks – Tapped Base Set Screw Locking



Pillow Block

- Standard duty, high-grade cast iron
- Solid foot housing design
- Wide inner ring bearing
- Relubricatable unit with anti-rotation pin
- Standard seal: R-seal



UCTB200 Series

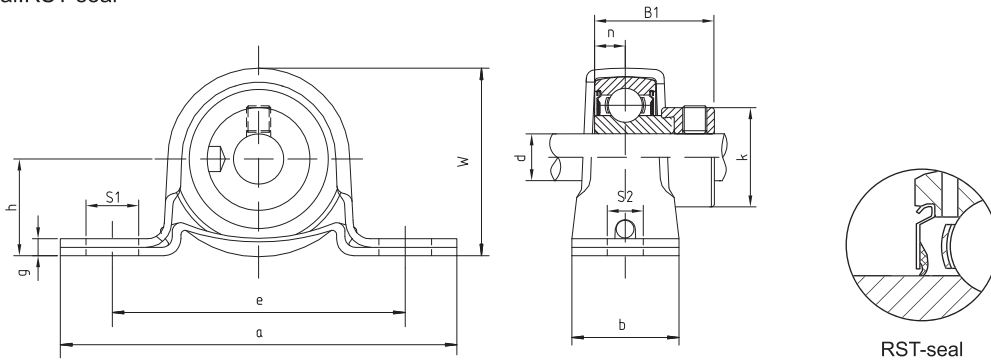
Bearing Unit	Shaft Dia.		Dimensions in mm										Bearing No.	Housing No.
	(in)	(mm)	h	a	e	b	s	w	l	g	B	n		
UCTB201-8	1/2		1-5/16 33.3	2.87 73	2 50.8	1-1/2 38	3/8-16 M10	2-9/16 65	7/16 11	1/2 13	1.22 31	0.500 12.7	UC201-8	TB203
UCTB202-9	9/16												UC202-9	
UCTB202-10	5/8												UC202-10	
UCTB203-11	11/16												UC203-11	
UCTB201		12											UC201	
UCTB202		15	UC202											
UCTB203		17	UC203											
UCTB204-12	3/4		1-5/16 33.3	2.87 73	2 50.8	1-1/2 38	3/8-16 M10	2-9/16 65	7/16 11	1/2 13	1.22 31	0.500 12.7	UC204-12	TB204
UCTB204		20											UC204	
UCTB205-13	13/16		1-7/16 36.5	3 76	2 50.8	1-1/2 38	3/8-16 M10	2-13/16 71	15/32 12	1/2 13	1.34 34	0.563 14.3	UC205-13	TB205
UCTB205-14	7/8												UC205-14	
UCTB205-15	15/16												UC205-15	
UCTB205-16	1												UC205-16	
UCTB205		25											UC205	
UCTB206-17	1-1/16		1-11/16 42.9	4 102	3 76.2	1-1/2 38	7/16-14 M12	3-3/8 86	15/32 12	5/8 16	1.50 38.1	0.626 15.9	UC206-17	TB206
UCTB206-18	1-1/8												UC206-18	
UCTB206-19	1-3/16												UC206-19	
UCTB206-20	1-1/4												UC206-20	
UCTB206		30											UC206	
UCTB207-20	1-1/4		1-7/8 47.6	4-1/4 108	3-1/4 82.5	1-7/8 48	1/2-13 M14	3-3/4 95	1/2 13	0.787 20	1.69 42.9	0.689 17.5	UC207-20	TB207
UCTB207-21	1-5/16												UC207-21	
UCTB207-22	1-3/8												UC207-22	
UCTB207-23	1-7/16												UC207-23	
UCTB207		35											UC207	
UCTB208-24	1-1/2		1-15/16 49.2	4-5/8 117	3-1/2 88.9	1-7/8 48	1/2-13 M14	3-15/16 100	1/2 13	0.787 20	1.94 49.2	0.748 19	UC208-24	TB208
UCTB208-25	1-9/16												UC208-25	
UCTB208		40											UC208	
UCTB209-26	1-5/8		2-1/8 54	5 127	3-3/4 95.3	2 51	1/2-13 M14	4-1/4 108	9/16 14	0.787 20	1.94 49.2	0.748 19	UC209-26	TB209
UCTB209-27	1-11/16												UC209-27	
UCTB209-28	1-3/4												UC209-28	
UCTB209		45											UC209	
UCTB210-29	1-13/16		2-1/4 57.5	5-1/2 140	4 101.6	2 51	5/8-11 M16	4.646 118	9/16 14	0.906 23	2.03 51.6	0.748 19	UC210-29	TB210
UCTB210-30	1-7/8												UC210-30	
UCTB210-31	1-15/16												UC210-31	
UCTB210-32	2												UC210-32	
UCTB210		50											UC210	

Remarks: 1) These relubricatable types with suffix "D1". If maintenance free type is needed, please order without suffix "D1".



Pillow Blocks – Pressed Steel Eccentric Locking Collar

- Light duty, self-aligning pressed steel housings
- Two piece housing units are available with inter-locking or non-locking
- Narrow inner ring bearing
- Standard seal: RST-seal



SAPP200 Series

Bearing Unit	Shaft Dia.		Dimensions in mm												Bearing No.	Housing No.
	(in)	(mm)	h	a	e	b	s1	s2	g	W	B1	n	K	Bolt Size		
SAPP201-8	1/2		0.874 22.2	3.386 86	2.677 68	1 25.4	0.374 9.5	0.374 9.5	0.126 3.2	1.732 44	1.125 28.6	0.256 6.5	1.13 28.6	5/16	SA201-8	PP203
SAPP202-9	9/16															
SAPP202-10	5/8															
SAPP203-11	11/16															
SAPP201	12															
SAPP202	15														SA202	
SAPP203	17														SA203	
SAPP204-12	1/2		1 25.4	3.858 98	3 76.2	1-1/4 31.75	0.374 9.5	0.374 9.5	0.126 3.2	1.969 50	1.221 31	0.256 6.5	1.311 33.3	5/16	SA204-12 SA204	PP204
SAPP205-12	3/4		1-1/8 28.58	4.252 108	3-3/8 85.73	1-1/4 31.75	7/16 11.11	7/16 11.11	0.157 4	2-7/32 56.36	1.221 31	0.295 7.5	1.5 38.1	3/8	SA205-12	PP205
SAPP205-13	13/16															
SAPP205	25															
SAPP206-13	13/16		1-5/16 33.34	4.606 117	3-3/4 95.25	1.496 38	7/16 11.11	7/16 11.11	0.157 4	2-5/8 66.68	1.406 35.7	0.354 9	1.752 44.5	3/8	SA206-13	PP206
SAPP206-14	7/8															
SAPP206-15	15/16															
SAPP206-16	1															
SAPP206	30															
SAPP207-17	1-1/16		1-9/16 39.69	5.079 129	4.173 106	1.654 42	7/16 11.11	7/16 11.11	0.181 4.6	3-1/16 78	1.532 38.9	0.374 9.5	2.189 55.6	3/8	SA207-17	PP207
SAPP207-18	1-1/8															
SAPP207-19	1-3/16															
SAPP207-20	1-1/4															
SAPP207	35															

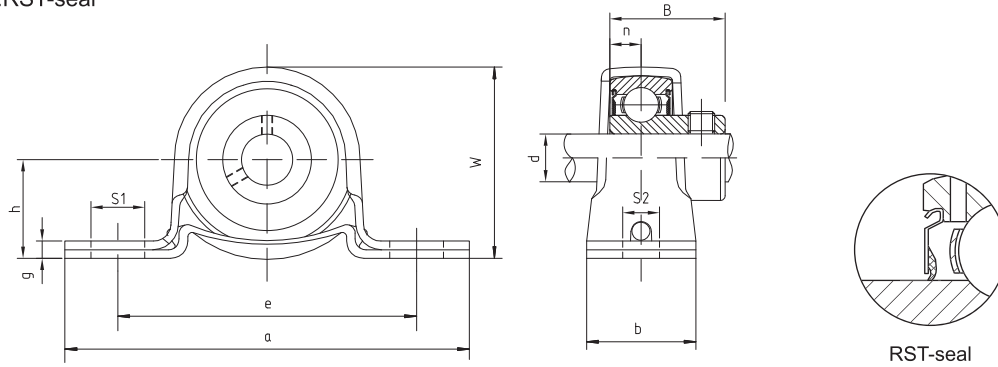


Pillow Blocks- Pressed Steel Set Screw Locking



Pillow Block

- Light duty, self-aligning pressed steel housings
- Two piece housing units are available with inter-locking or non-locking
- Narrow inner ring bearing
- Standard seal: RST-seal



SBPP200 Series

Bearing Unit	Shaft Dia.		Dimensions ⁱⁿ mm											Bearing No.	Housing No.
	(in)	(mm)	h	a	e	b	s1	s2	g	w	B	n	Bolt Size		
SBPP201-8	1/2		0.874 22.2	3.386 86	2.677 68	1 25.4	0.374 9.5	0.374 9.5	0.126 3.2	1.732 44	0.89 22.5	0.256 6.5	3/8	SB201-8	PP203
SBPP202-9	9/16	SB202-9													
SBPP202-10	5/8	SB202-10													
SBPP203-11	11/16	SB203-11													
SBPP201	12	SB201													
SBPP202	15	SB202													
SBPP203	17	SB203													
SBPP204-12	3/4		1 25.4	3.858 98	3 76.2	1-1/4 31.75	0.374 9.5	0.374 9.5	0.126 3.2	1.969 50	0.98 25	0.295 7.5	3/8	SB204-12	PP204
SBPP204-13	13/16	SB204-13													
SBPP204	20	SB204													
SBPP205-12	3/4		1-1/8 28.58	4.252 108	3-3/8 85.73	1-1/4 31.75	7/16 11.1	7/16 11.1	0.157 4	2-7/32 56.36	1.06 27	0.295 7.5	3/8	SB205-12	PP205
SBPP205-13	13/16	SB205-13													
SBPP205-14	7/8	SB205-14													
SBPP205-15	15/16	SB205-15													
SBPP205-16	1	SB205-16													
SBPP205	25	SB205													
SBPP206-17	1-1/16		1-5/16 33.34	4.606 117	3-3/4 95.25	1.496 38	7/16 11.11	7/16 11.11	0.157 4	2-5/8 66.68	1.18 30	0.354 9	1/2	SB206-17	PP206
SBPP206-18	1-1/8	SB206-18													
SBPP206-19	1-3/16	SB206-19													
SBPP206-20	1-1/4	SB206-20													
SBPP206	30	SB206													
SBPP207-20	1-1/4		1-9/16 39.69	5.079 129	4.173 106	1.654 42	7/16 11.11	7/16 11.11	0.181 4.6	3-1/16 78	1.26 32	0.374 9.5	1/2	SB207-20	PP207
SBPP207-21	1-5/16	SB207-21													
SBPP207-22	1-3/8	SB207-22													
SBPP207-23	1-7/16	SB207-23													
SBPP207	35	SB207													