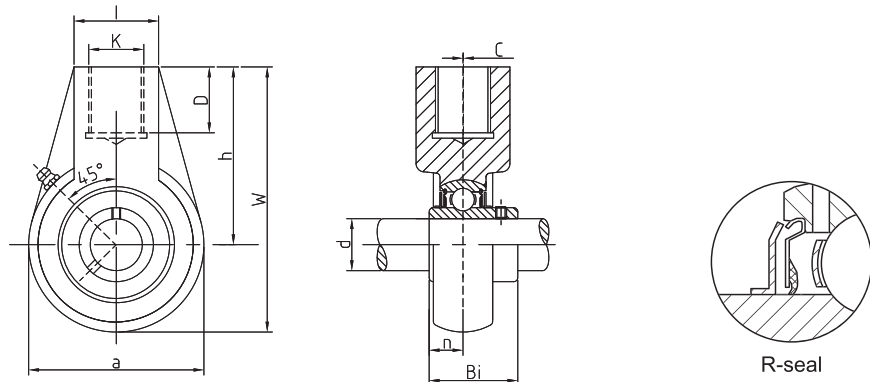


Hanger Bearing Units

Set Screw Locking

- Standard duty, high-grade cast iron
- Wide inner ring bearing
- Relubricatable unit with anti-rotation pin
- Standard seal: R-seal



UCHA200 Series



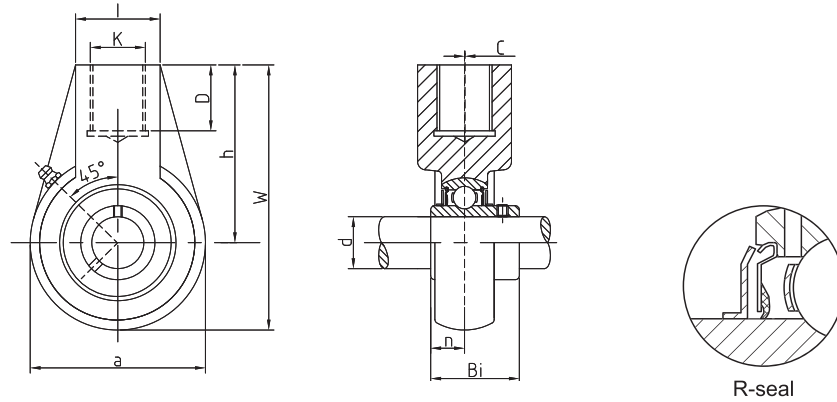
Bearing Unit	Shaft Dia.		Dimensions								Bearing No.	Housing No.	
	(in.)	(mm)	a	w	c	h	l	D	K	Bi			n
UCHA201-8	1/2		2-17/32 64.3	3-25/32 96	0	2-33/64 63.9	1-9/16 39.7	3/4 19.1	NPSM-3/4	1.221 31	0.500 12.7	UC201-8	HA204
UCHA201-9	9/16											UC201-9	
UCHA202-10	5/8											UC202-10	
UCHA203-11	11/16											UC203-11	
UCHA201	12											UC201	
UCHA202	15											UC202	
UCHA203	17		UC203										
UCHA204-12	3/4		2-17/32 64.3	3-25/32 96	0	2-33/64 63.9	1-9/16 39.7	3/4 19.1	NPSM-3/4	1.221 31	0.500 12.7	UC204-12	HA204
UCHA204-13	13/16											UC204-13	
UCHA204	20											UC204	
UCHA205-13	13/16		3-1/16 77.8	4-1/16 103.2	0	2-33/64 63.9	1-9/16 39.7	3/4 19.1	NPSM-3/4	1.339 34	0.563 14.3	UC205-13	HA205
UCHA205-14	7/8											UC205-14	
UCHA205-15	15/16											UC205-15	
UCHA205-16	1											UC205-16	
UCHA205	25											UC205	
UCHA206-17	1-1/16		3.150 80	4.095 104	0	2-33/64 63.9	1-9/16 39.7	3/4 19.1	NPSM-3/4	1.500 38.1	0.626 15.9	UC206-17	HA206
UCHA206-18	1-1/8											UC206-18	
UCHA206-19	1-3/16											UC206-19	
UCHA206-20	1-1/4											UC206-20	
UCHA206	30											UC206	
UCHA207-20	1-1/4		3-5/8 92.1	4-9/16 115.9	0	2-3/4 69.9	1-9/16 39.7	3/4 19.1	NPSM-3/4	1.689 42.9	0.689 17.5	UC207-20	HA207
UCHA207-21	1-5/16											UC207-21	
UCHA207-22	1-3/8											UC207-22	
UCHA207-23	1-7/16											UC207-23	
UCHA207	35											UC207	
UCHA208-24	1-1/2		3.937 100	4.843 123	5/64 2.0	2-7/8 73	1-9/16 39.7	3/4 19.1	NPSM-3/4	1.937 49.2	0.748 19	UC208-24	HA208
UCHA208-25	1-9/16											UC208-25	
UCHA208	40											UC208	
UCHA209-26	1-5/8		4-1/4 108	5-11/32 135.7	13/64 5.2	3-15/64 82.2	1-7/8 47.6	13/16 20.6	NPSM-1	1.937 49.2	0.748 19	UC209-26	HA209
UCHA209-27	1-11/16											UC209-27	
UCHA209-28	1-3/4											UC209-28	
UCHA209	45											UC209	
UCHA210-29	1-13/16		4-21/32 118.3	5-19/32 142.1	13/64 5.2	3-17/64 82.9	1-7/8 47.6	13/16 20.6	NPSM-1	2.031 51.6	0.748 19	UC210-29	HA210
UCHA210-30	1-7/8											UC210-30	
UCHA210-31	1-15/16											UC210-31	
UCHA210-32	2											UC210-32	
UCHA210	50											UC210	

Note: 1) Relubricatable types have suffix "D1". If maintenance free type is needed, please order without suffix "D1".

Hanger Bearing Units

Set Screw Locking

- Standard duty, high-grade cast iron
- Wide inner ring bearing
- Relubricatable unit with anti-rotation pin
- Standard seal: R-seal



UCHA200 Series

Bearing Unit	Shaft Dia.		Dimensions									Bearing No.	Housing No.
	(in.)	(mm)	a	w	c	h	l	D	K	Bi	n		
UCHA211-32	2		4-31/32 126	6.221 158	9/32 7.1	3-27/32 95	2-3/8 60.3	1 25.4	NPSM-1-1/4	2.189 55.6	0.874 22.2	UC211-32 UC211-33 UC211-34 UC211-35 UC211	HA211
UCHA211-33	2-1/16												
UCHA211-34	2-1/8												
UCHA211-35	2-3/16												
UCHA211		55											
UCHA212-36	2-1/4		5-19/32 142.1	6-13/16 173	23/64 9.1	4-1/64 102	2-3/8 60.3	1-3/32 27.8	NPSM-1-1/4	2.563 65.1	1.000 25.4	UC212-36 UC212-37 UC212-38 UC212-39 UC212	HA212
UCHA212-37	2-5/16												
UCHA212-38	2-3/8												
UCHA212-39	2-7/16												
UCHA212		60											
UCHA213-40	2-1/2		6-17/32 165.9	7-7/8 200	3/8 9.5	4-39/64 117.1	2-3/4 69.9	1-1/4 31.8	NPSM-1-1/2	2.563 65.1	1.000 25.4	UC213-40 UC213-41 UC213	HA213
UCHA213-41	2-9/16												
UCHA213		65											
UCHA214-42	2-5/8		6-17/32 165.9	7-7/8 200	3/8 9.5	4-39/64 117.1	2-3/4 69.9	1-1/4 31.8	NPSM-1-1/2	2.937 74.6	1.189 30.2	UC214-42 UC214-43 UC214-44 UC214	HA214
UCHA214-43	2-11/16												
UCHA214-44	2-3/4												
UCHA214		70											
UCHA215-45	2-13/16		6-17/32 165.9	7-7/8 200	3/8 9.5	4-39/64 117.1	2-3/4 69.9	1-1/4 31.8	NPSM-1-1/2	3.063 77.8	1.311 33.3	UC215-45 UC215-46 UC215-47 UC215-48 UC215	HA215
UCHA215-46	2-7/8												
UCHA215-47	2-15/16												
UCHA215-48	3												
UCHA215		75											

Note: 1) Relubricatable types have suffix "D1". If maintenance free type is needed, please order without suffix "D1".